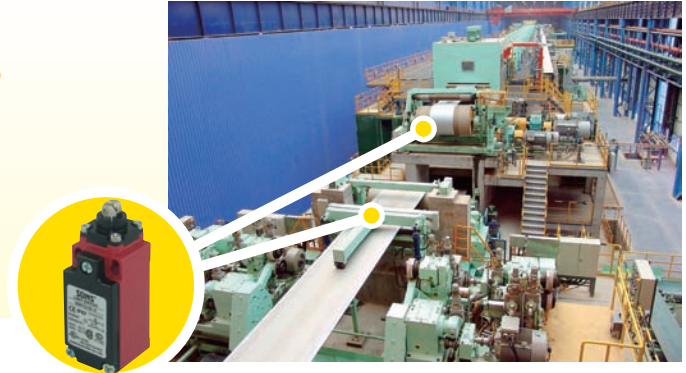


GLOBAL STYLE SAFETY LIMIT SWITCHES (METAL BODIED EN50047 TYPE) SN4 SERIES (SINGLE CONDUIT ENTRY)

Our Applications Engineers evaluate systems' compatibility, installation, maintenance, and reliability when reviewing control solutions.



Features

- Zinc die cast body
- Earth grounding surface on same level as switching
- Easily interchangeable contact block
- Galvanically separated contacts
- Screw terminals with self-lifting clamps for easy wiring
- Positive Opening of NC contacts
- 4 x 90° actuator positions
- Cable entry available: M20, PG13.5 and 1/2"NPT
- Conform to EN 50047 standard

Definitions of Operating Characteristics

- OF Operating Force
- RF Releasing Force
- OT Overtravel
- TT Total Travel
- PT Pretravel
- MD Movement Differential
- OP Operating Position
- PO Travel to Positive Opening



Specifications

Operating Speed	0.05mm-2m/sec
Operating Frequency	Mechanical: 120ops/min Electrical: 30 ops/min
Insulation Resistance	>100MΩ@500V DC
Contact Resistance	<25mΩ (initial value)
Rated Thermal Current	10A/600V AC (EN60947-5-1)
	UL/cUL Listed (E216958) AC15 A600 / DC13 Q300
Dielectric Strength	1000VAC for 1 min between current carrying parts 2500VAC for 1 min between non-current carrying parts
Service Life	Mechanically 1.0 x10 ⁷ (operations) Electrically 5 x10 ⁵ (operations)
Operating Temperature	-25~+80°C (-13~176°F) with no icing
Humidity	< 95%RH
Weight	200-250g
Degree of Protection	IP67

Selection Guide:

SN41

Body Styles

04

Head Styles

SP

- SP: 1NO/1NC Snap action
- SPT: 2NO/2NC Snap action
- SL: BBM 1NO/1NC Slow Action changeover
- SL1: MBB 1NO/1NC Slow Action Overlapping
- SL2: 2NC Slow Action
- SL3: 2NO Slow Action
- SL4: 3NC Slow Action
- SL5: 3NO Slow Action
- SL6: BBM 2NC/1NO Slow Action changeover
- SL7: MBB 2NC/1NO Slow Action Overlapping
- SL8: BBM 2NO/1NC Slow Action changeover
- SL9: MBB 2NO/1NC Slow Action Overlapping

C

Conduits

- A: 1/2"NPT
- B: PG13.5
- C: M20
- D: M16
- B1: PG11

-

R

- Blank
- R: with Reset

GLOBAL STYLE SAFETY LIMIT SWITCHES (METAL BODIED EN50047 TYPE) SN4 SERIES (SINGLE CONDUIT ENTRY)

Available contact blocks and travel diagrams



Plunger type
11,12 styles

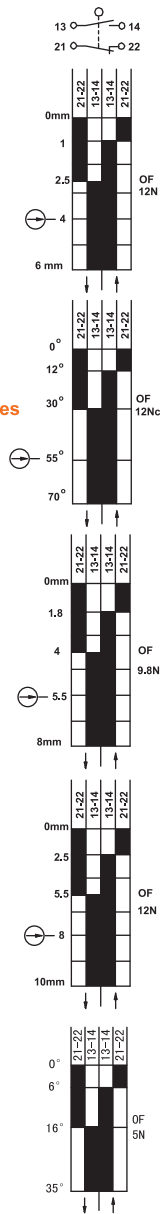
Side rotary type
04, 07, 08, 14, 18 Styles

62, 63 styles

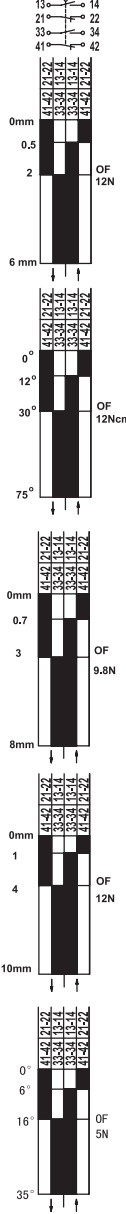
72, 73 styles

00, 66,69 styles

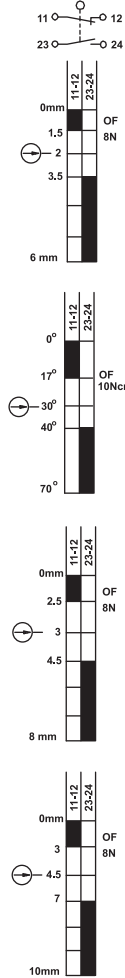
SP
1NO/1NC
Snap Action



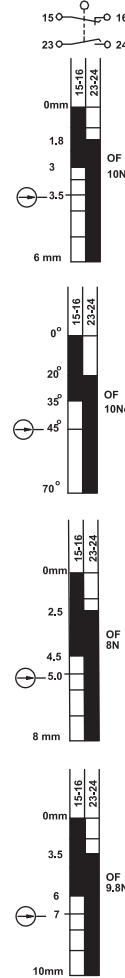
SPT
2NO/2NC
Snap Action



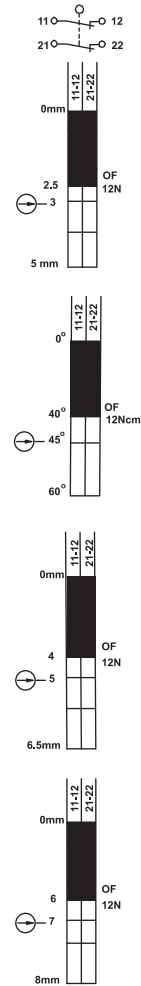
SL
1NO/1NC
Slow Action
(Changeover)



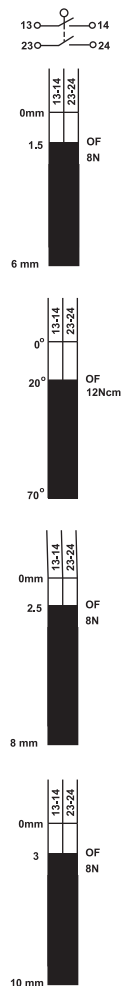
SL1
1NO/1NC
Slow Action
(Overlapping)



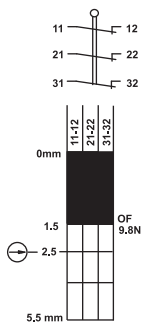
SL2
2NC
Slow Action



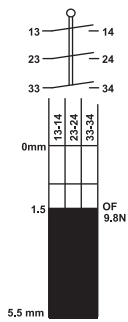
SL3
2NO
Slow Action



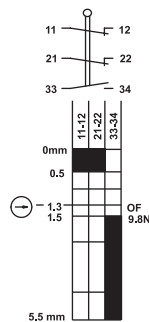
SL4
3NC
Slow Action



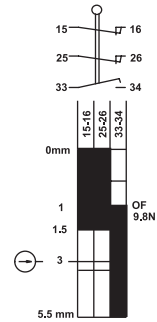
SL5
3NO
Slow Action



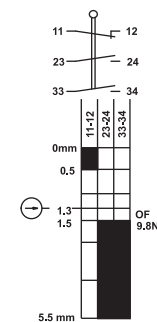
SL6
2NC/1NO
Slow Action
(Changeover)



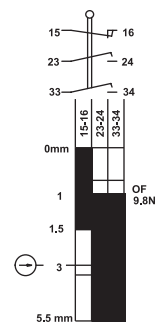
SL7
2NC/1NO
Slow Action
(Overlapping)



SL8
1NC/2NO
Slow Action
(Changeover)

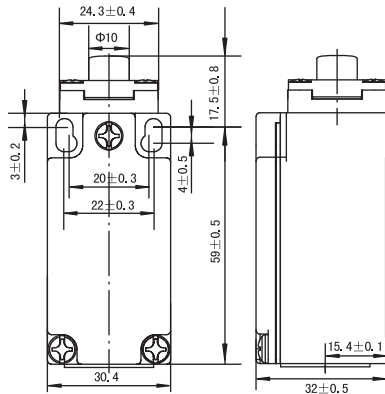


SL9
1NC/2NO
Slow Action
(Overlapping)



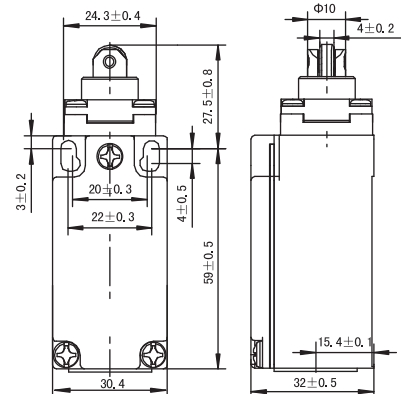
GLOBAL STYLE SAFETY LIMIT SWITCHES (METAL BODIED EN50047 TYPE) SN4 SERIES (SINGLE CONDUIT ENTRY)

SN4111



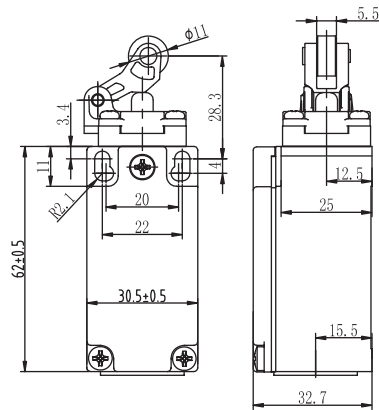
Order Code	Contact block		
SN4111-SP- _	SP	↻	snap action 1NO+1NC
SN4111-SL- _	SL	↻	slow action 1NO+1NC BBM
SN4111-SL1- _	SL1	↻	slow action 1NO+1NC MBB
SN4111-SL2- _	SL2	↻	slow action 2NC

SN4112



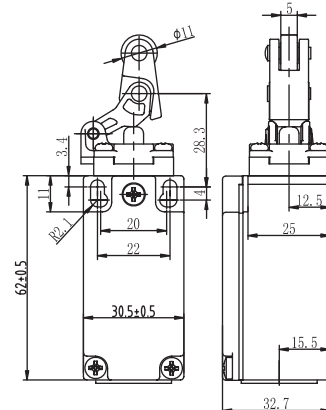
Order Code	Contact block		
SN4112-SP- _	SP	↻	snap action 1NO+1NC
SN4112-SL- _	SL	↻	slow action 1NO+1NC BBM
SN4112-SL1- _	SL1	↻	slow action 1NO+1NC MBB
SN4112-SL2- _	SL2	↻	slow action 2NC

SN4162



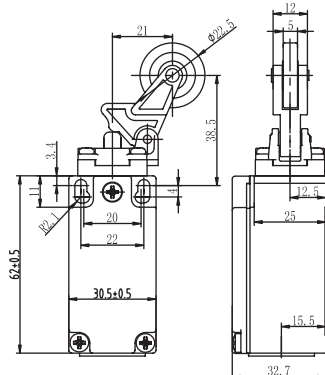
Order Code	Contact block		
SN4162-SP- _	SP	↻	snap action 1NO+1NC
SN4162-SL- _	SL	↻	slow action 1NO+1NC BBM
SN4162-SL1- _	SL1	↻	slow action 1NO+1NC MBB
SN4162-SL2- _	SL2	↻	slow action 2NC

SN4163



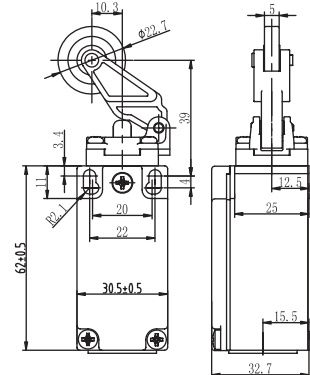
Order Code	Contact block		
SN4163-SP- _	SP	↻	snap action 1NO+1NC
SN4163-SL- _	SL	↻	slow action 1NO+1NC BBM
SN4163-SL1- _	SL1	↻	slow action 1NO+1NC MBB
SN4163-SL2- _	SL2	↻	slow action 2NC

SN4172



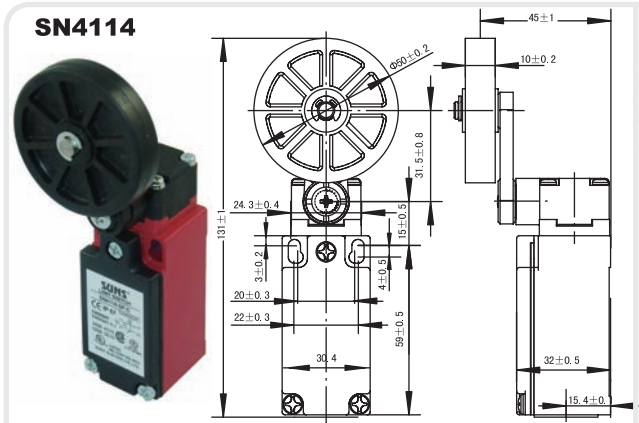
Order Code	Contact block		
SN4172-SP- _	SP	↻	snap action 1NO+1NC
SN4172-SL- _	SL	↻	slow action 1NO+1NC BBM
SN4172-SL1- _	SL1	↻	slow action 1NO+1NC MBB
SN4172-SL2- _	SL2	↻	slow action 2NC

SN4173

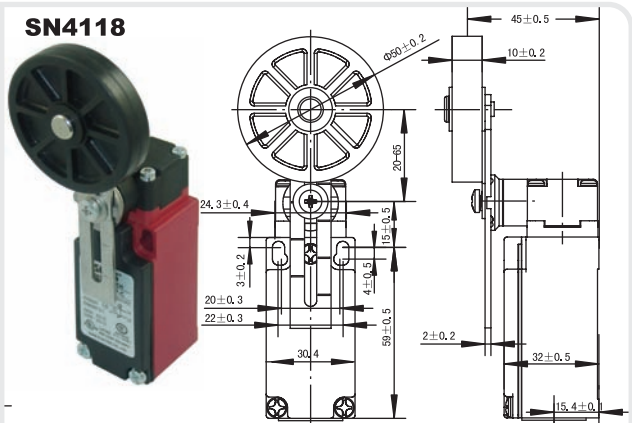


Order Code	Contact block		
SN4173-SP- _	SP	↻	snap action 1NO+1NC
SN4173-SL- _	SL	↻	slow action 1NO+1NC BBM
SN4173-SL1- _	SL1	↻	slow action 1NO+1NC MBB
SN4173-SL2- _	SL2	↻	slow action 2NC

GLOBAL STYLE SAFETY LIMIT SWITCHES (METAL BODIED EN50047 TYPE) SN4 SERIES (SINGLE CONDUIT ENTRY)



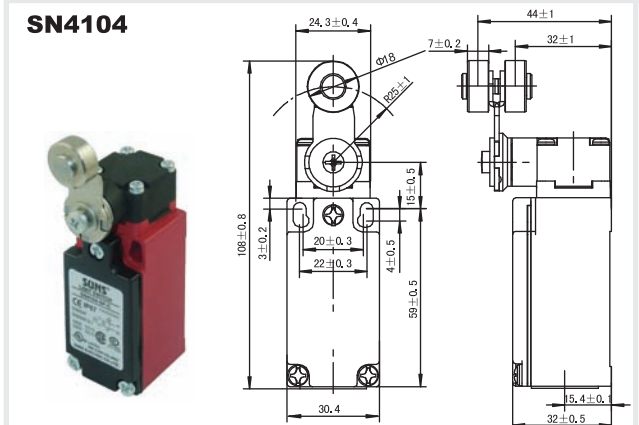
SN4114



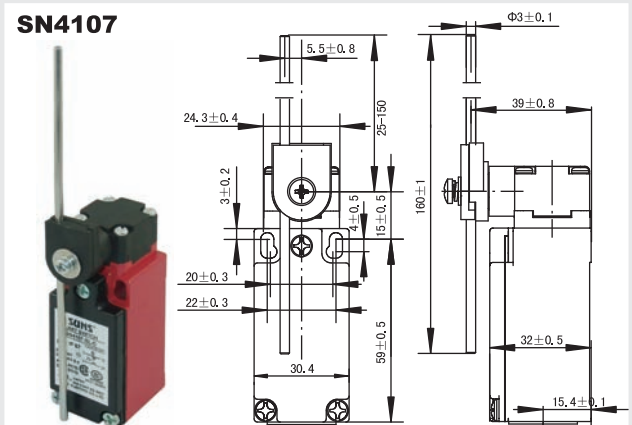
SN4118

Order Code	Contact block		
SN4114-SP- _	SP	↻	snap action 1NO+1NC
SN4114-SL- _	SL	↻	slow action 1NO+1NC BBM
SN4114-SL1- _	SL1	↻	slow action 1NO+1NC MBB
SN4114-SL2- _	SL2	↻	slow action 2NC

Order Code	Contact block		
SN4118-SP- _	SP	↻	snap action 1NO+1NC
SN4118-SL- _	SL	↻	slow action 1NO+1NC BBM
SN4118-SL1- _	SL1	↻	slow action 1NO+1NC MBB
SN4118-SL2- _	SL2	↻	slow action 2NC



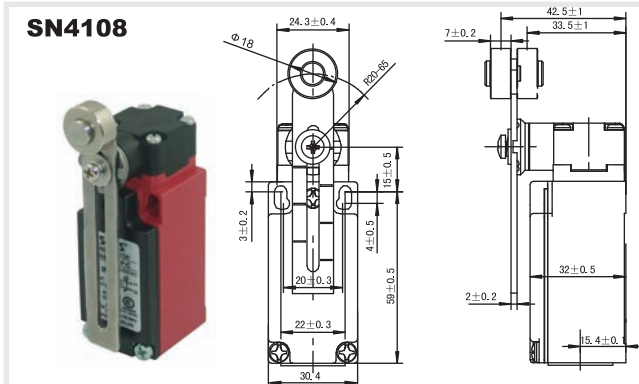
SN4104



SN4107

Order Code	Contact block		
SN4104-SP- _	SP	↻	snap action 1NO+1NC
SN4104-SL- _	SL	↻	slow action 1NO+1NC BBM
SN4104-SL1- _	SL1	↻	slow action 1NO+1NC MBB
SN4104-SL2- _	SL2	↻	slow action 2NC

Order Code	Contact block		
SN4107-SP- _	SP	↻	snap action 1NO+1NC
SN4107-SL- _	SL	↻	slow action 1NO+1NC BBM
SN4107-SL1- _	SL1	↻	slow action 1NO+1NC MBB
SN4107-SL2- _	SL2	↻	slow action 2NC



SN4108

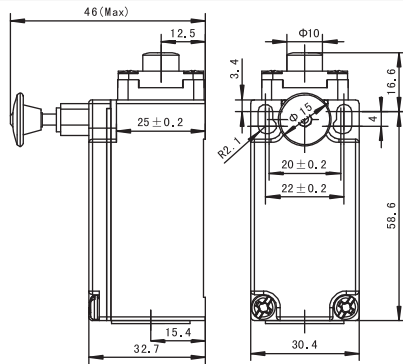
Order Code	Contact block		
SN4108-SP- _	SP	↻	snap action 1NO+1NC
SN4108-SL- _	SL	↻	slow action 1NO+1NC BBM
SN4108-SL1- _	SL1	↻	slow action 1NO+1NC MBB
SN4108-SL2- _	SL2	↻	slow action 2NC

GLOBAL STYLE SAFETY LIMIT SWITCHES (METAL BODIED EN50047 TYPE) SN4 SERIES (SINGLE CONDUIT ENTRY)

SN4100		SN4166	
Order Code	SN4100-SP- _ SP snap action 1NO+1NC	Order Code	SN4166-SP- _ SP snap action 1NO+1NC
SN4169			
Order Code	SN4169-SP- _ SP snap action 1NO+1NC		

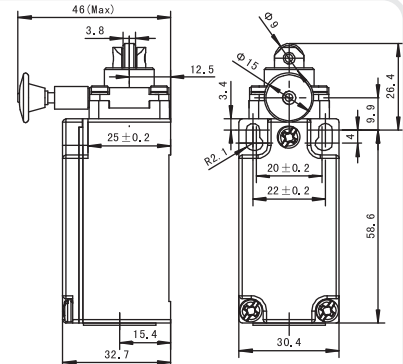
GLOBAL STYLE SAFETY LIMIT SWITCHES (METAL BODIED EN50047 TYPE) SN4 SERIES (SINGLE CONDUIT ENTRY WITH RESET)

SN4111-R



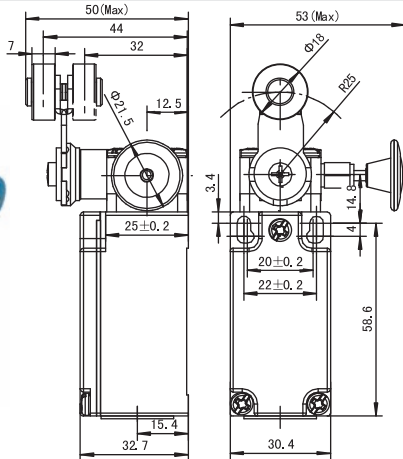
Order Code	Contact block			
SN4111-SP-_R	SP	↻	snap action	1NO+1NC
SN4111-SL-_R	SL	↻	slow action	1NO+1NC BBM
SN4111-SL1-_R	SL1	↻	slow action	1NO+1NC MBB
SN4111-SL2-_R	SL2	↻	slow action	2NC

SN4112-R



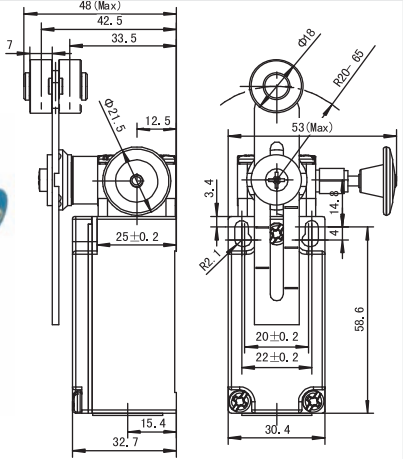
Order Code	Contact block			
SN4112-SP-_R	SP	↻	snap action	1NO+1NC
SN4112-SL-_R	SL	↻	slow action	1NO+1NC BBM
SN4112-SL1-_R	SL1	↻	slow action	1NO+1NC MBB
SN4112-SL2-_R	SL2	↻	slow action	2NC

SN4104-R



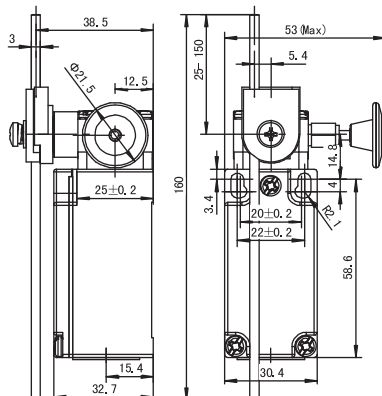
Order Code	Contact block			
SN4104-SP-_R	SP	↻	snap action	1NO+1NC
SN4104-SL-_R	SL	↻	slow action	1NO+1NC BBM
SN4104-SL1-_R	SL1	↻	slow action	1NO+1NC MBB
SN4104-SL2-_R	SL2	↻	slow action	2NC

SN4108-R



Order Code	Contact block			
SN4108-SP-_R	SP	↻	snap action	1NO+1NC
SN4108-SL-_R	SL	↻	slow action	1NO+1NC BBM
SN4108-SL1-_R	SL1	↻	slow action	1NO+1NC MBB
SN4108-SL2-_R	SL2	↻	slow action	2NC

SN4107-R



Order Code	Contact block			
SN4107-SP-_R	SP	↻	snap action	1NO+1NC
SN4107-SL-_R	SL	↻	slow action	1NO+1NC BBM
SN4107-SL1-_R	SL1	↻	slow action	1NO+1NC MBB
SN4107-SL2-_R	SL2	↻	slow action	2NC

GLOBAL STYLE SAFETY LIMIT SWITCHES (METAL BODIED EN50047 TYPE) SN4 SERIES (SINGLE CONDUIT ENTRY WITH RESET)

SN4114-R

Order Code	Contact block	SP	SL	SL1	SL2	Action	Terminal Block
SN4114-SP-_R	SP	→				snap action	1NO+1NC
SN4114-SL-_R	SL	→				slow action	1NO+1NC BBM
SN4114-SL1-_R	SL1	→				slow action	1NO+1NC MBB
SN4114-SL2-_R	SL2	→				slow action	2NC

SN4118-R

Order Code	Contact block	SP	SL	SL1	SL2	Action	Terminal Block
SN4118-SP-_R	SP	→				snap action	1NO+1NC
SN4118-SL-_R	SL	→				slow action	1NO+1NC BBM
SN4118-SL1-_R	SL1	→				slow action	1NO+1NC MBB
SN4118-SL2-_R	SL2	→				slow action	2NC

SN4100-R

Order Code	Contact block	SP	Action	Terminal Block
SN4100-SP-_R	SP		snap action	1NO+1NC

SN4166-R

Order Code	Contact block	SP	Action	Terminal Block
SN4166-SP-_R	SP		snap action	1NO+1NC

SN4169-R

Order Code	Contact block	SP	Action	Terminal Block
SN4169-SP-_R	SP		snap action	1NO+1NC