

## GENERAL-PURPOSE MICRO SWITCHES S14 SERIES

### Features

- 5 current ratings
- Choice of actuator styles
- 3 terminal types (optional screw terminals available — consult factory)
- 3 contact arrangements
- Long-life coil spring mechanism
- High-temperature 150°C and 200°C available on select models (consult factory)

### Specifications

#### Electrical

Electrical Rating:	25A, 125/250VAC; 1HP, 125VAC 2HP, 250 VAC
Temperature Rating:	105°C Std. (150°C and 200°C optional)
Flammability Rating:	UL94-V0

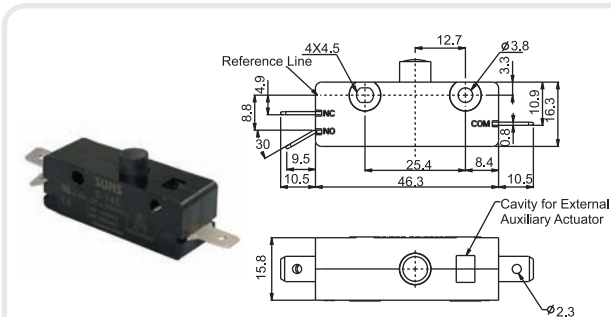
#### Materials

Case:	General Purpose Phenolic
Actuating Button:	Thermoplastic Nylon
Common Terminals:	Silver-Plated Brass
NO and NC Terminals:	Silver-Plated Brass
Moving Blade:	Silver-Plated Beryllium Copper
Spring:	Stainless Steel
Auxiliary Actuators:	Cold-Rolled Steel (Nickel-Plated)
Roller:	Sintered Stainless Steel
Contacts:	Silver-Cadmium Oxide

### Definitions of Operating Characteristics

OF	Operating Force	PT	Pretravel
RF	Releasing Force	MD	Movement Differential
OT	Overtravel	OP	Operating Position
TT	Total Travel		

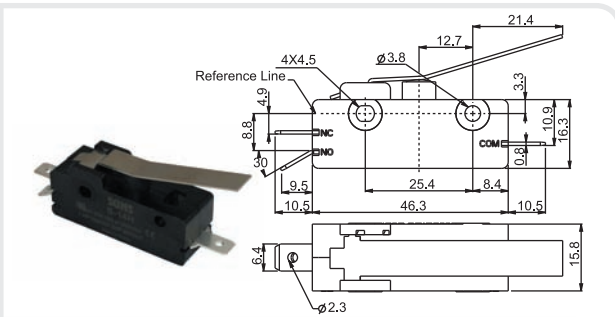
### Dimensions Unit: mm



#### S-14E

##### Operating Characteristics

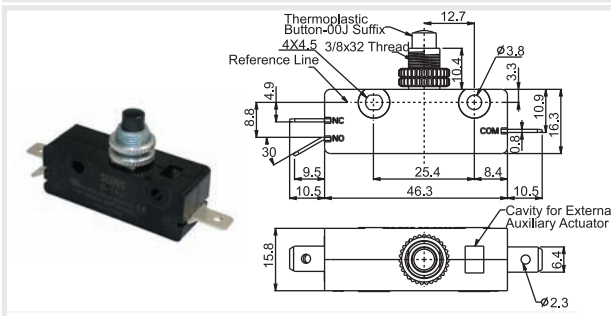
OF(Max):	850g	OT(Min):	1.27mm(0.050inch)
PT(Max):	2.54mm(0.100inch)	MD(Max):	0.38mm(0.015inch)
		OP:	6.3±0.66mm(0.248± 0.026inch)



#### S-14H

##### Operating Characteristics

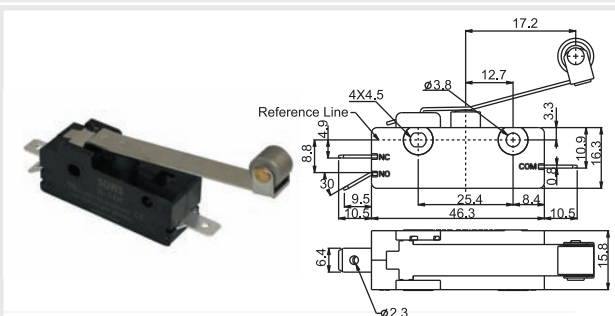
OF(Max):	285g	OT(Min):	3.81mm(0.150inch)
PT(Max):	7.93mm(0.312inch)	MD(Max):	1.27mm(0.050inch)
		OP:	11.89±1.57mm(0.468± 0.062inch)



#### S-14J

##### Operating Characteristics

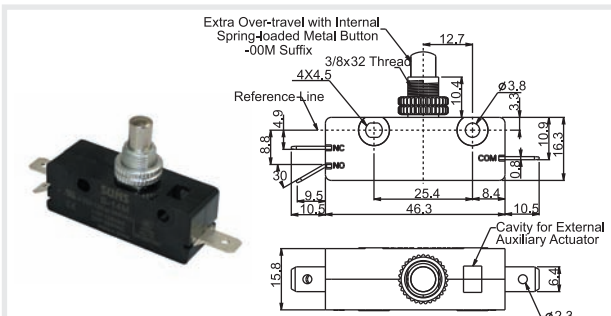
OF(Max):	850g	OT(Min):	1.27mm(0.050inch)
PT(Max):	2.54mm(0.100inch)	MD(Max):	0.38mm(0.015inch)
		OP:	16.08±0.76mm(0.633± 0.030inch)



#### S-14K

##### Operating Characteristics

OF(Max):	285g	OT(Min):	3.30mm(0.130inch)
PT(Max):	8.84mm(0.348inch)	MD(Max):	1.14mm(0.045inch)
		OP:	21.84±1.57mm(0.860± 0.062inch)



#### S-14M

##### Operating Characteristics

OF(Max):	850g	OT(Min):	4.27mm(0.168inch)
PT(Max):	2.54mm(0.100inch)	MD(Max):	0.38mm(0.015inch)
		OP:	19.69±0.76mm(0.775± 0.030inch)

Note: SPST 1NO OR SPST 1NC is available as request.

add "1" or "2" suffix to the part number

Example: S-14E1: SPST 1NO

S-14H2: SPST 1NC